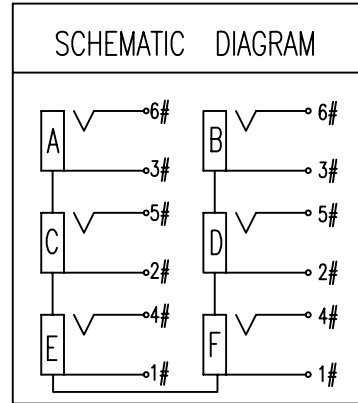
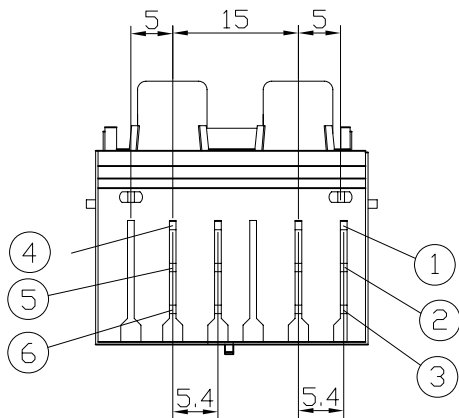


T:1.6 Dimensions of PC board holes
Tolerance : ±0.05(Printed-TOP view)



LEAD FREE



WASHER COLOR	
A	B
GREEN	WHITE
C	D
BLUE	RED
E	F
RED	YELLOW

UNLESS OTHERWISE SPECIFIED, TOLERANCE ON DECIMAL: ±0.3

LTR	DESCRIPTION	DATE	REVISIONS	REVISED	APPROVED
11	BACK SHELL	1	SPCC t=0.3	Cu/Sn PLATED	
10	FRONT SHELL	1	SUS301 t=0.2		
9	WASHER	6	PBT 4815	UL-94V0	
8	SLEEVE	6	C2680 t=0.4	Cu/Sn PLATED	
7	HOUSING	1	PBT 4815	UL-94V0(BLACK)	
6	CONTACT	2	C2680 t=0.4	Cu/Sn PLATED	
5	CONTACT	2	C2680 t=0.4	Cu/Sn PLATED	
4	CONTACT	2	C2680 t=0.4	Cu/Sn PLATED	
3	TERMINAL	2	C2680 t=0.4	Cu/Sn PLATED	
2	TERMINAL	2	C2680 t=0.4	Cu/Sn PLATED	
1	TERMINAL	2	C2680 t=0.4	Cu/Sn PLATED	
LTR	PART NAME	QTY	MATERIAL	REMARK	
DWN	LILY	DATE	2013.10.17	3RD ANGLE PROJECTION	NAME RCA JACK
CHKD	ANDY	DATE	2013.10.17		CAT.NO. RCA-260V3B-03H
APVD	JON	DATE	2013.10.17		UNIT: mm
JKCR Electronics Co., Ltd.				DWN.NO.	C-260V3B 001