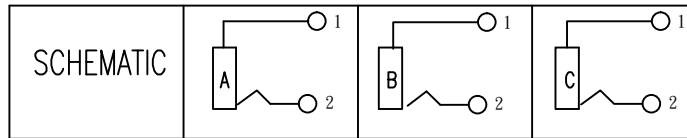
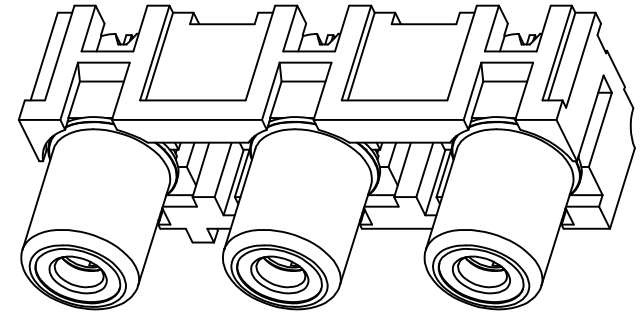
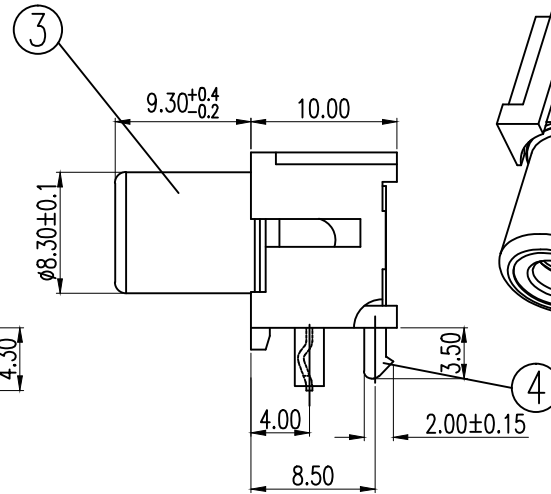
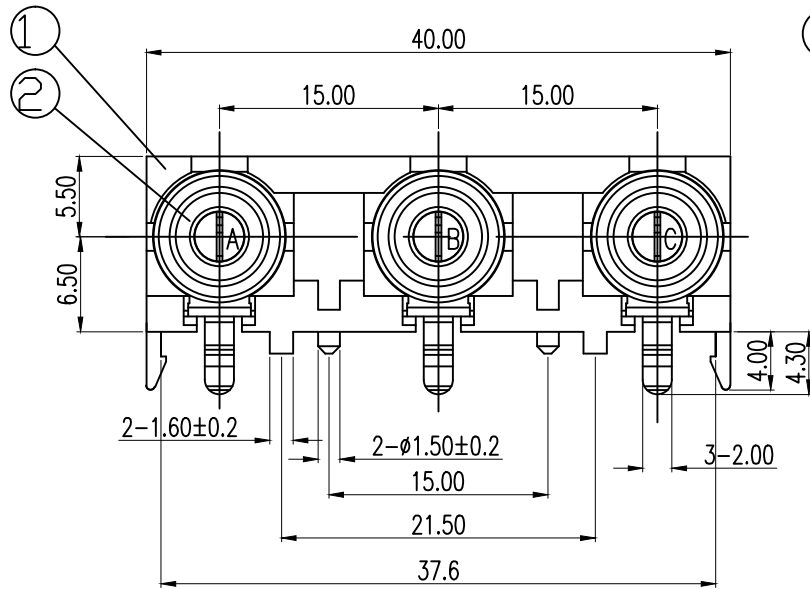
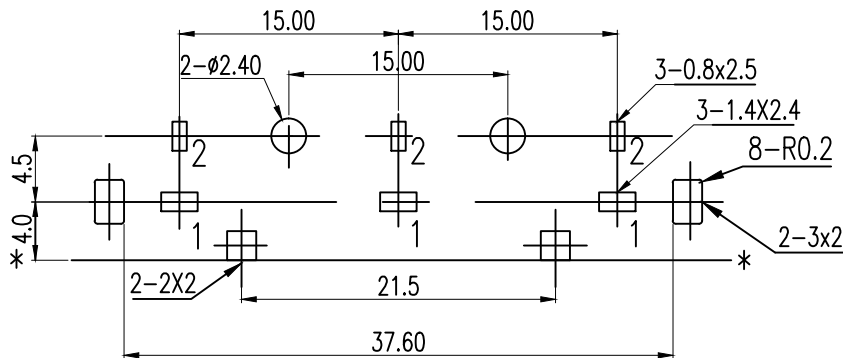


* RoHS COMPLIANT *

* REVISIONS				
LTR	DESCRIPTION	DATE	REVISED	APPROVED



RCA-032-35B-29		
WASHER COLOR		
A	B	C
GREEN	BLUE	RED



T:1.6 Dimensions of PC board holes
Tolerance : ±0.05(Printed-top view)

UNLESS OTHERWISE SPECIFIED, TOLERANCE ON DECIMAL: ±0.3

4	TERMINAL	3	C2680	t=0.50	Cu/Sn	PLATED
3	OUTER CONTACT	3	C2680	t=0.35	Cu/Sn	PLATED
2	WASHER	3	PBT 4815		UL94V-0	
1	HOUSING	1	PBT 4815		UL-94V0(BLACK)	
LTR	PART NAME	QTY	MATERIAL		REMARK	
DWN	LILY	DATE	2014.09.27	3RD ANGLE PROJECTION	NAME PIN JACK	
CHKD	ANDY	DATE	2014.09.27		CAT. NO. RCA-032-35B-29	
APVD	JON	DATE	2014.09.27	UNIT: mm	DWN.NO. C-032-35B 001	
JKCR Electronics Co., Ltd.						