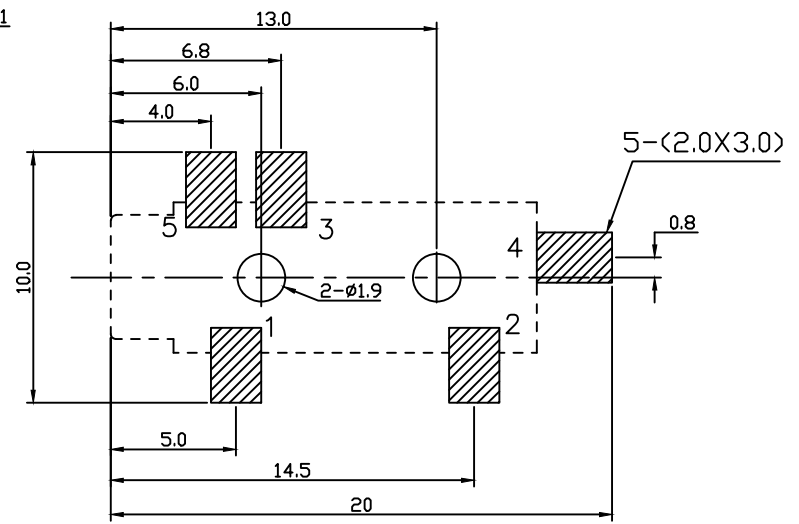
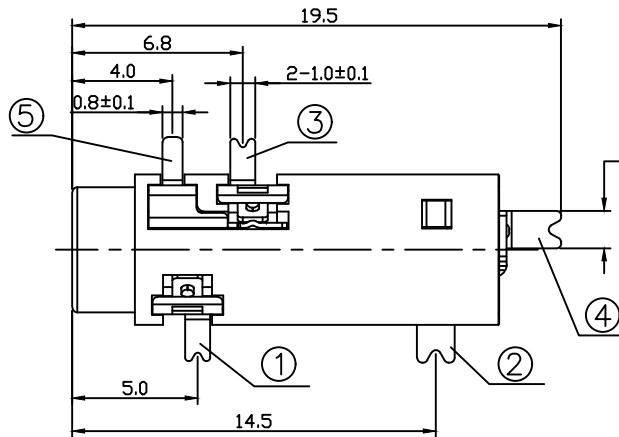
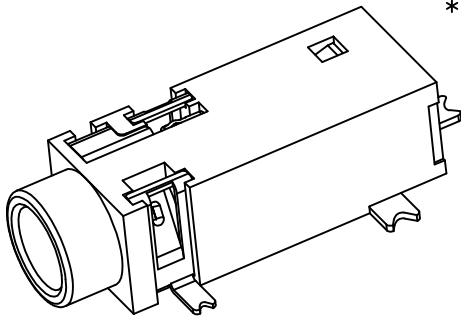


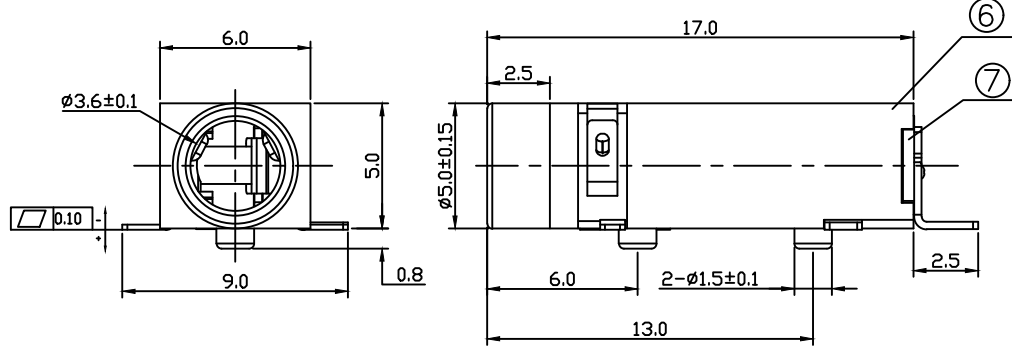
\* RoHS COMPLIANT \*

		* REVISIONS		
LTR	DESCRIPTION	DATE	REVISED	APPROVED



T:1.6 Dimensions of PC board holes  
Tolerance : ±0.05(Printed-top view)

MODEL NO.	COLOR
PJS-035-09_01	GREEN
PJS-035-09_02	PINK
PJS-035-09_03	BLUE
PJS-035-09_04	ORANGE



SCHEMATIC

PJS-035-09A	PJS-035-09B	PJS-035-09C	PJS-035-09D
PJS-035-09I	PJS-035-09J	PJS-035-09K	

UNLESS OTHERWISE SPECIFIED, TOLERANCE ON DECIMAL: ±0.2

7	COVER	1	PA9T	UL-94V0(BLACK)
6	HOUSING	1	PA9T	UL-94V0(BLACK)
5	TERMINAL	1	C2680 t=0.20	Ag PLATED
4	TERMINAL	1	C2680 t=0.30	Ag PLATED
3	TERMINAL	1	C5191 t=0.20	Ag PLATED
2	TERMINAL	1	C5191 t=0.30	Ag PLATED
1	TERMINAL	1	C5191 t=0.20	Ag PLATED
LTR	PART NAME	QTY	MATERIAL	REMARK
DWN	LILY	DATE	2013.05.04	3RD ANGLE PROJECTION NAME MINIATURE JACK CAT. NO. PJS-035-09 DWN.NO. A-035-09
CHKD	ANDY	DATE	2013.05.04	
APVD	JON	DATE	2013.05.04	
JKCR Electronics Co., Ltd.				001