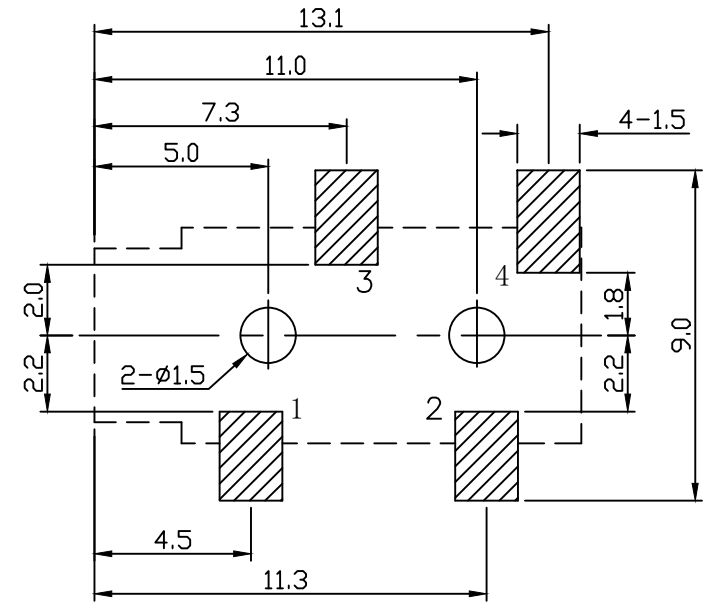
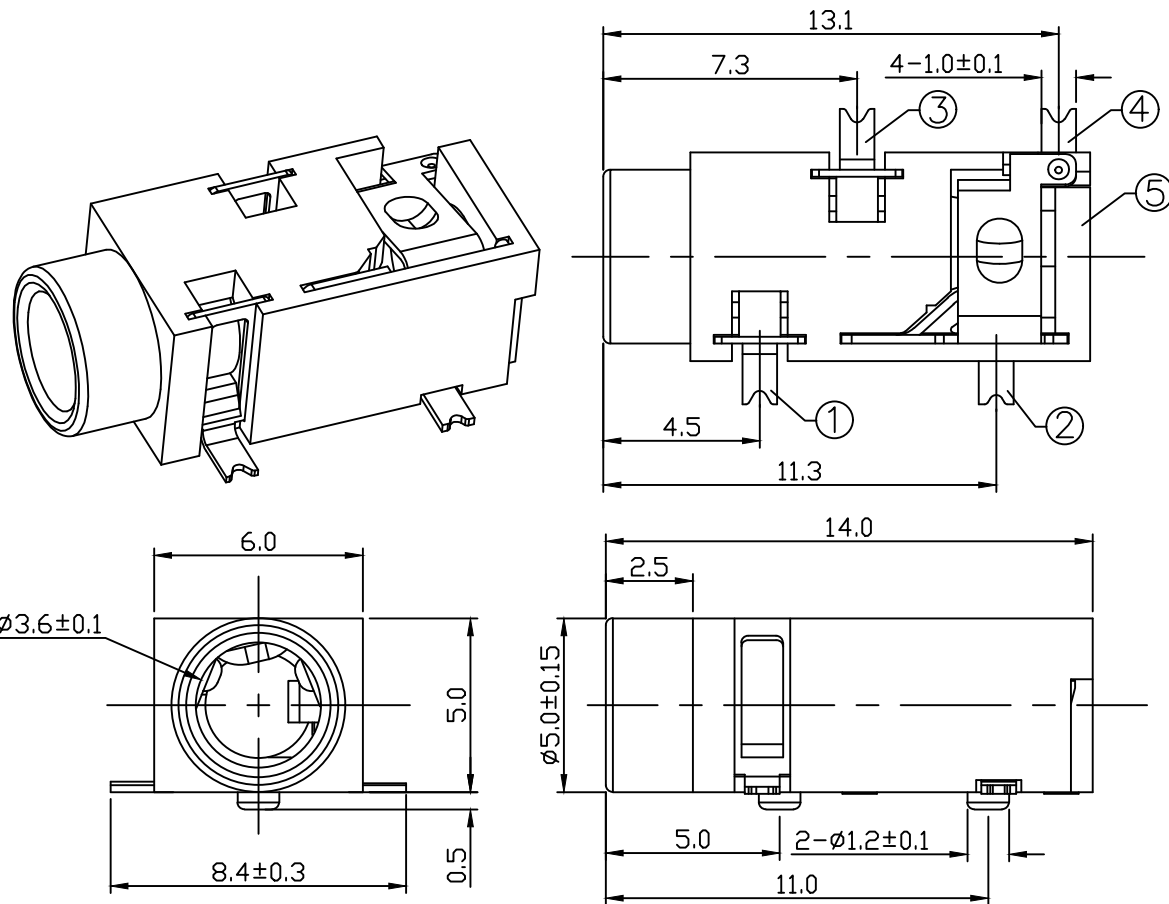
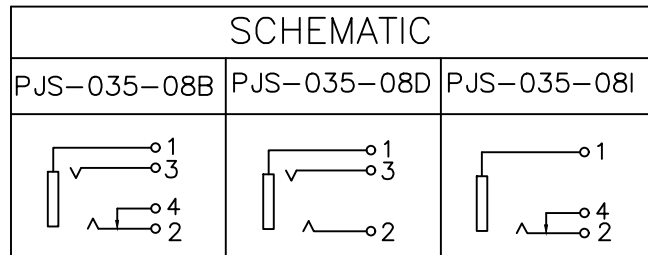


\* RoHS COMPLIANT \*

* REVISIONS				
LTR	DESCRIPTION	DATE	REVISED	APPROVED



T:1.6 Dimensions of PC board holes  
Tolerance : ±0.05(Printed-top view)



UNLESS OTHERWISE SPECIFIED, TOLERANCE ON DECIMAL: ±0.2

5	HOUSING	1	PA9T		UL-94V0(BLACK)
4	CURVE PIECE	1	C2680	t=0.30	Ag PLATED
3	SPRING	1	C5191	t=0.20	Ag PLATED
2	CONTACT FOOT	1	C5191	t=0.25	Ag PLATED
1	CONTACT FOOT	1	C5191	t=0.20	Ag PLATED
LTR	PART NAME	QTY	MATERIAL		REMARK
DWN	LILY	DATE	2013.04.02	3RD ANGLE PROJECTION	NAME MINIATURE JACK
CHKD	ANDY	DATE	2013.04.02		CAT. NO. PJS-035-08
APVD	JON	DATE	2013.04.02	UNIT: mm	DWN.NO. A-035-08
JKCR Electronics Co., Ltd.					001