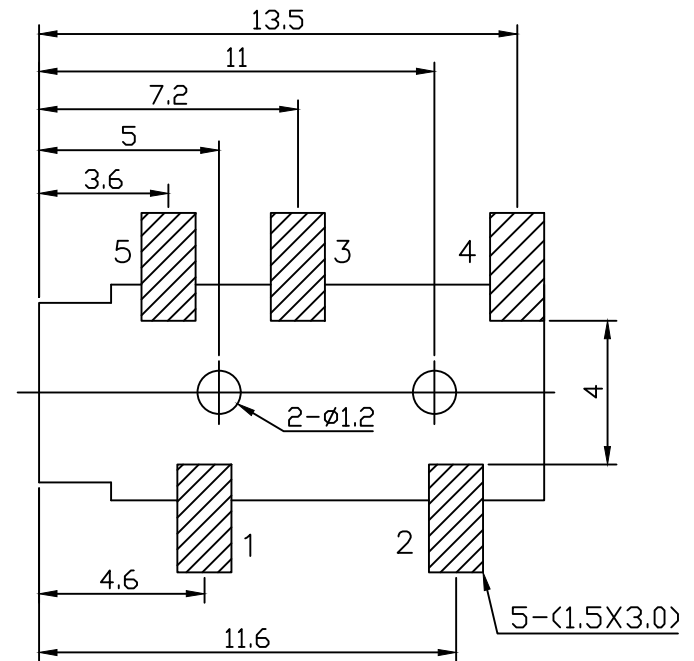
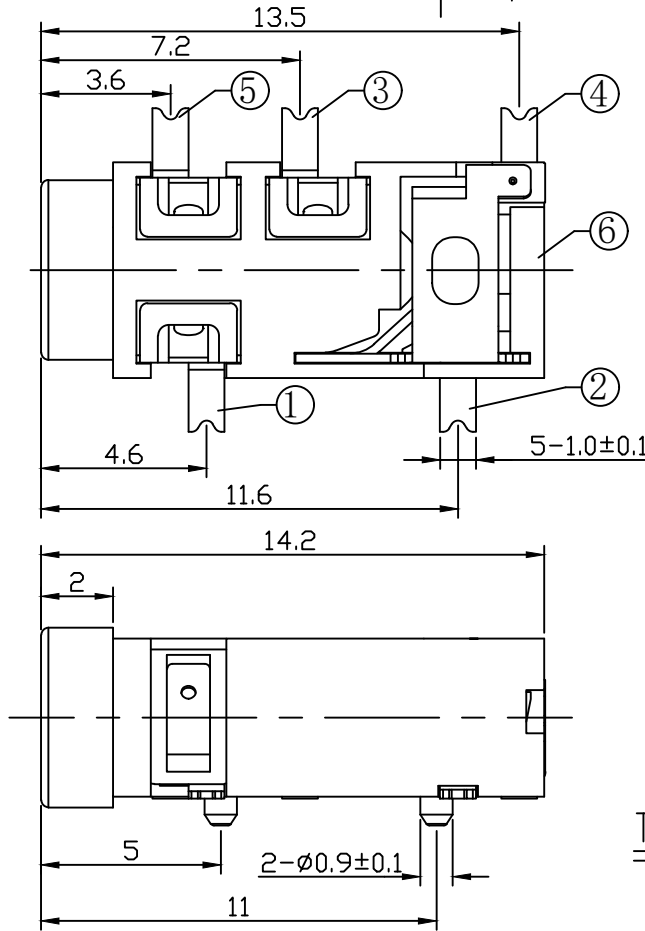
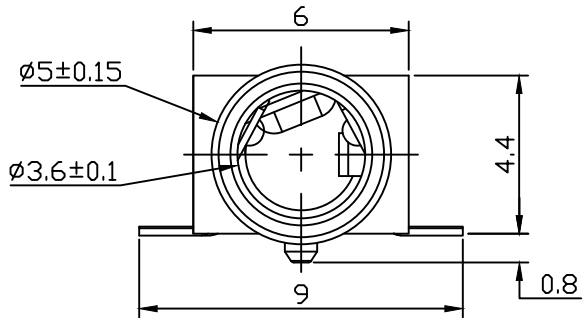
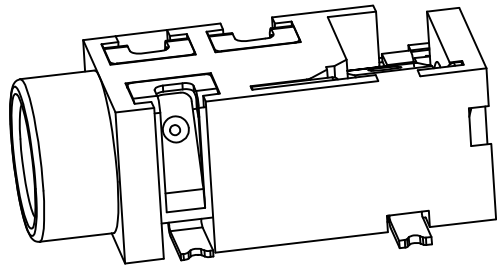


* RoHS COMPLIANT *



T:1.6 Dimensions of PC board holes
Tolerance : ±0.05(Printed-top view)

SCHEMATIC					
PJS-035-07A	PJS-035-07B	PJS-035-07C	PJS-035-07D	PJS-035-07I	PJS-035-07J

UNLESS OTHERWISE SPECIFIED, TOLERANCE ON DECIMAL:±0.2

		* REVISIONS		
LTR	DESCRIPTION	DATE	REVISED	APPROVED

6	HOUSING	1	PA9T	UL-94V0(BLACK)
5	TERMAINL 5#	1	C5191 t=0.20	Ag PLATED
4	TERMAINL 4#	1	C2680 t=0.25	Ag PLATED
3	TERMAINL 3#	1	C5191 t=0.20	Ag PLATED
2	TERMAINL 2#	1	C5191 t=0.25	Ag PLATED
1	TERMAINL 1#	1	C5191 t=0.20	Ag PLATED
LTR	PART NAME	QTY	MATERIAL	REMARK
DWN	LILY	DATE	2014.10.09	3RD ANGLE PROJECTION
CHKD	ANDY	DATE	2014.10.09	
APVD	JON	DATE	2014.10.09	UNIT: mm
JKCR Electronics Co., Ltd.				NAME MINIATURE JACK
				CAT. NO. PJS-035-07
				DWN.NO. A-035-07
				001