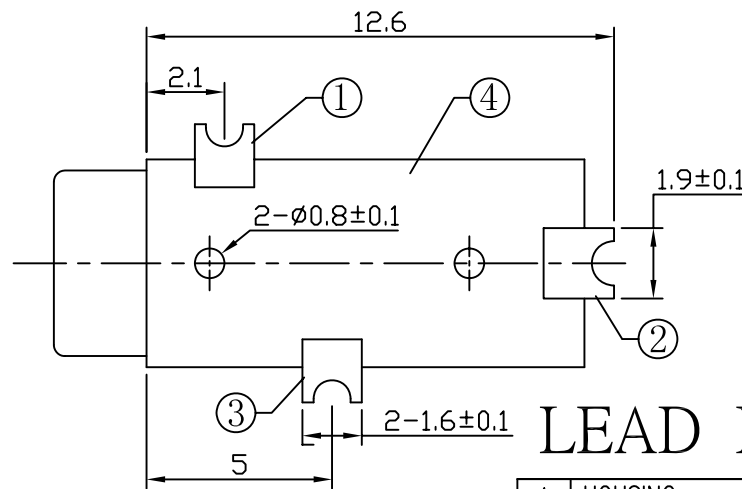
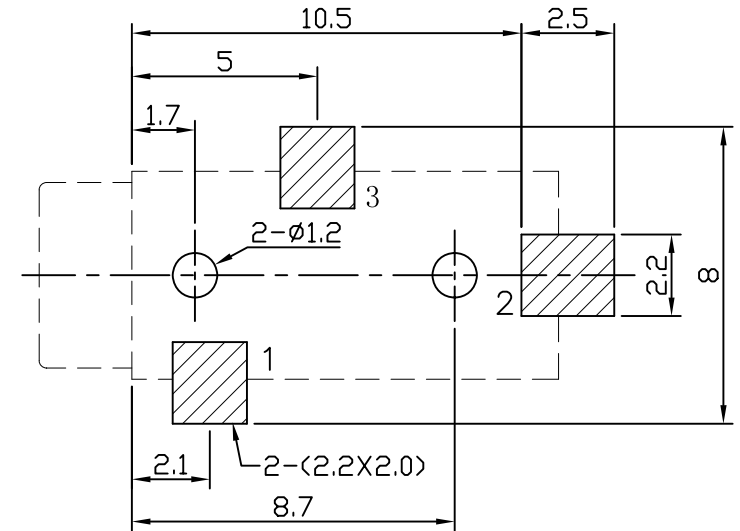
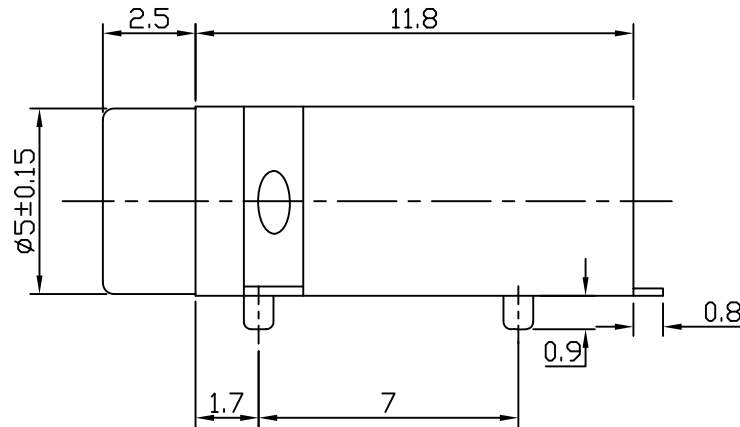
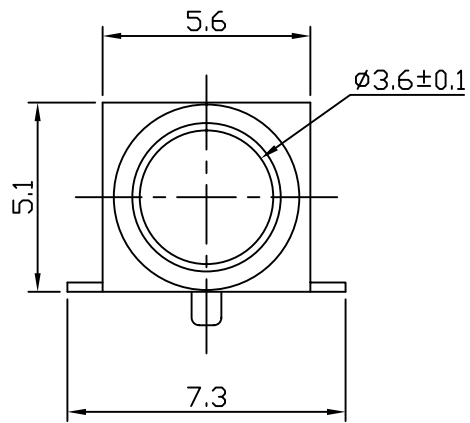
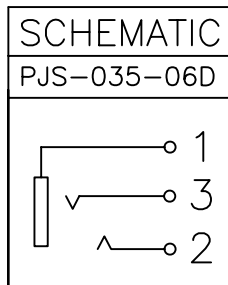


		* REVISIONS		
LTR	DESCRIPTION	DATE	REVISED	APPROVED



T:1.6 Dimensions of PC board holes
Tolerance : ± 0.05 (Printed-top view)

LEAD FREE



4	HOUSING	1	PA9T	UL-94V0(BLACK)
3	CONTACT FOOT	1	C5191	Ag PLATED
2	CONTACT FOOT	1	C5191	Ag PLATED
1	CONTACT FOOT	1	C5191	Ag PLATED
LTR	PART NAME	QTY	MATERIAL	REMARK
DWN	LILY	DATE	2009.03.11	3RD ANGLE PROJECTION
CHKD	ANDY	DATE	2009.03.11	
APVD	JON	DATE	2009.03.11	
JKCR Electronics Co., Ltd.				NAME MINIATURE JACK
				CAT. NO. PJS-035-06D
				DWN.NO. F-035-06
				002

UNLESS OTHERWISE SPECIFIED, TOLERANCE ON DECIMAL: ± 0.2