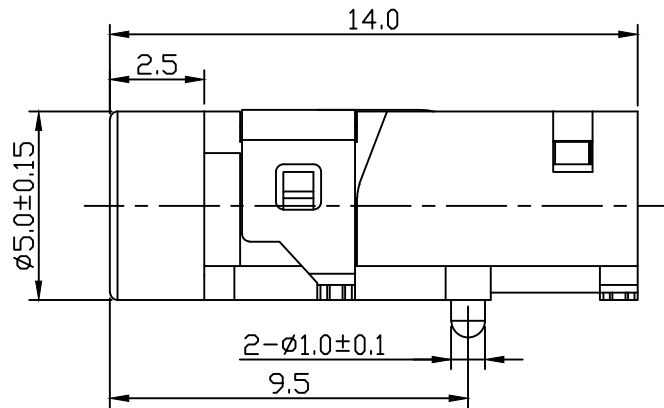
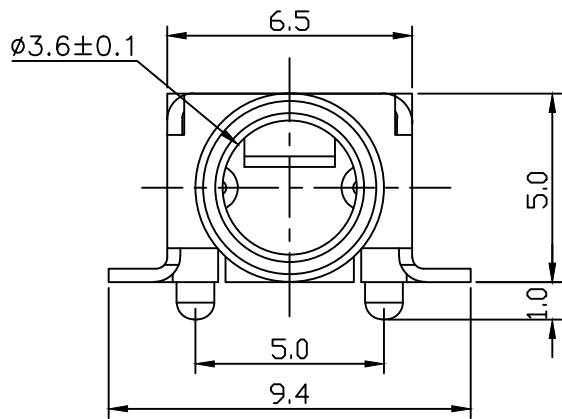
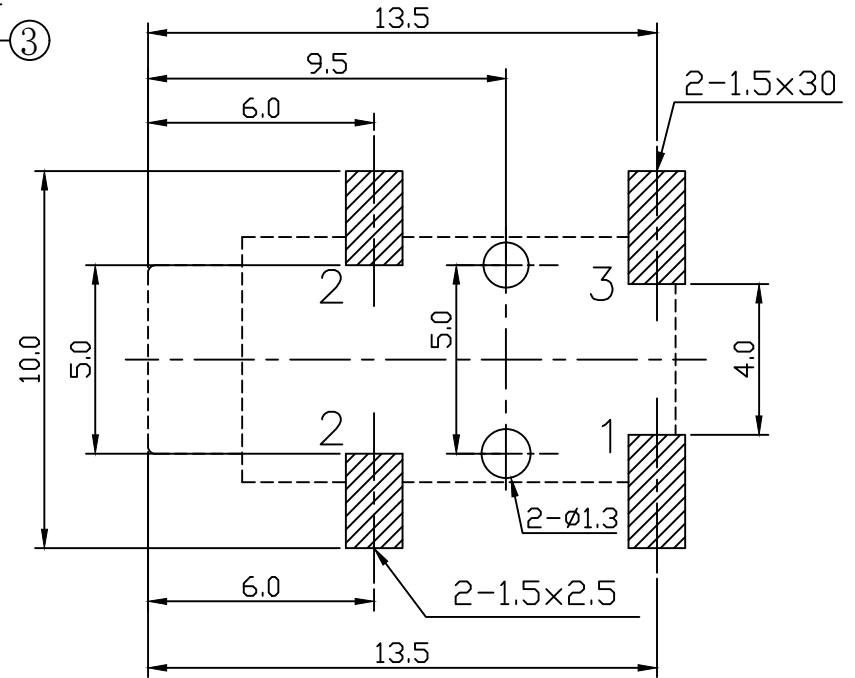
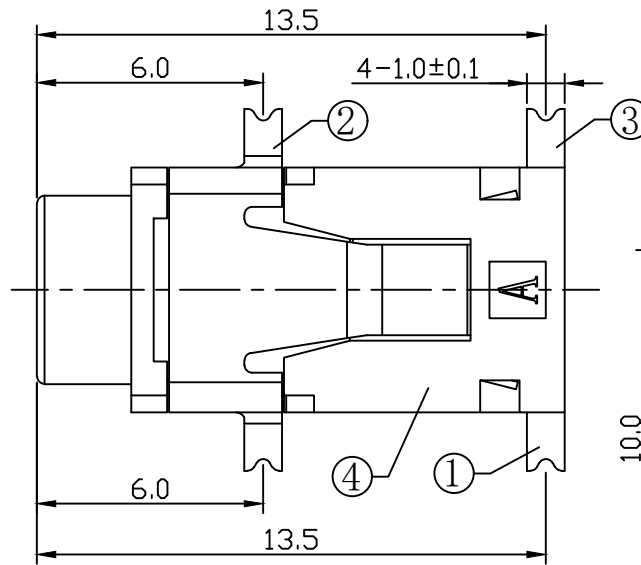
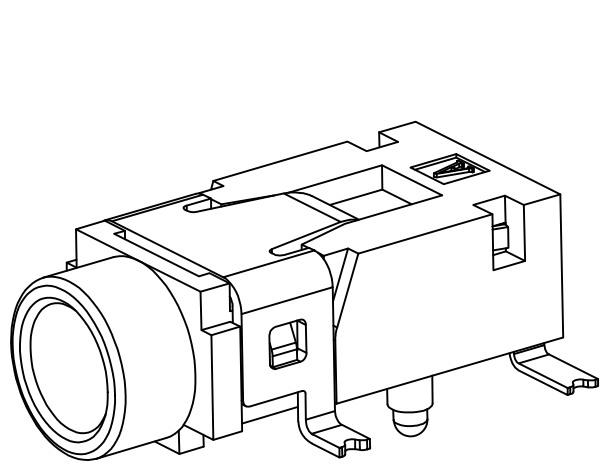
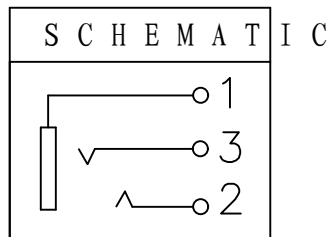


* RoHS COMPLIANT *

* REVISIONS				
LTR	DESCRIPTION	DATE	REVISED	APPROVED



T:1.6 Dimensions of PC board holes
Tolerance : ±0.05(Printed-top view)



UNLESS OTHERWISE SPECIFIED, TOLERANCE ON DECIMAL: ±0.2

4	HOUSING	1	PA9T		UL-94V0(BLACK)
3	3# CONTACT FOOT	1	C5191	t=0.25	Ag PLATED
2	2# CONTACT FOOT	1	C2680	t=0.35	Ag PLATED
1	1# CONTACT FOOT	1	C5191	t=0.25	Ag PLATED
LTR	PART NAME	QTY	MATERIAL		REMARK
DWN	LILY	DATE	2013.03.28	3RD ANGLE PROJECTION	NAME MINIATURE JACK
CHKD	ANDY	DATE	2013.03.28		CAT. NO. PJS-035-05D
APVD	JON	DATE	2013.03.28		UNIT: mm
JKCR Electronics Co., Ltd.					DWN.NO. A-035-05
					001