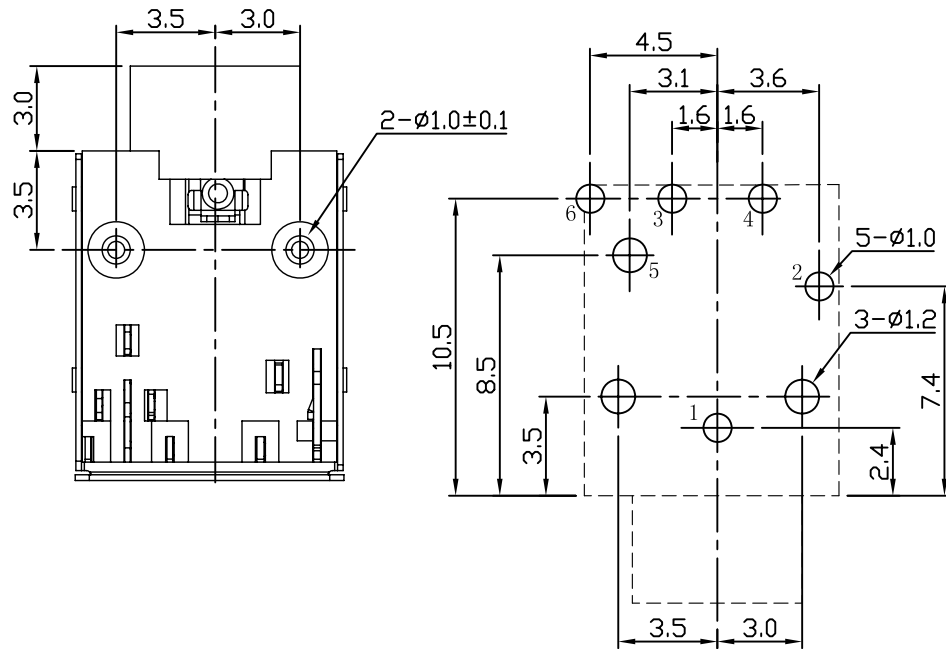
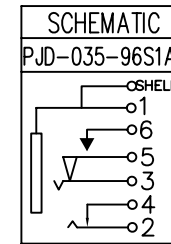
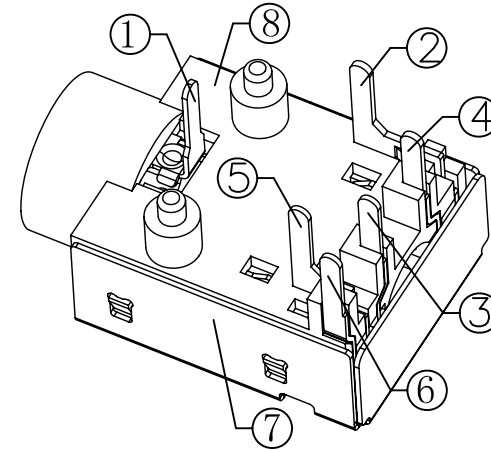
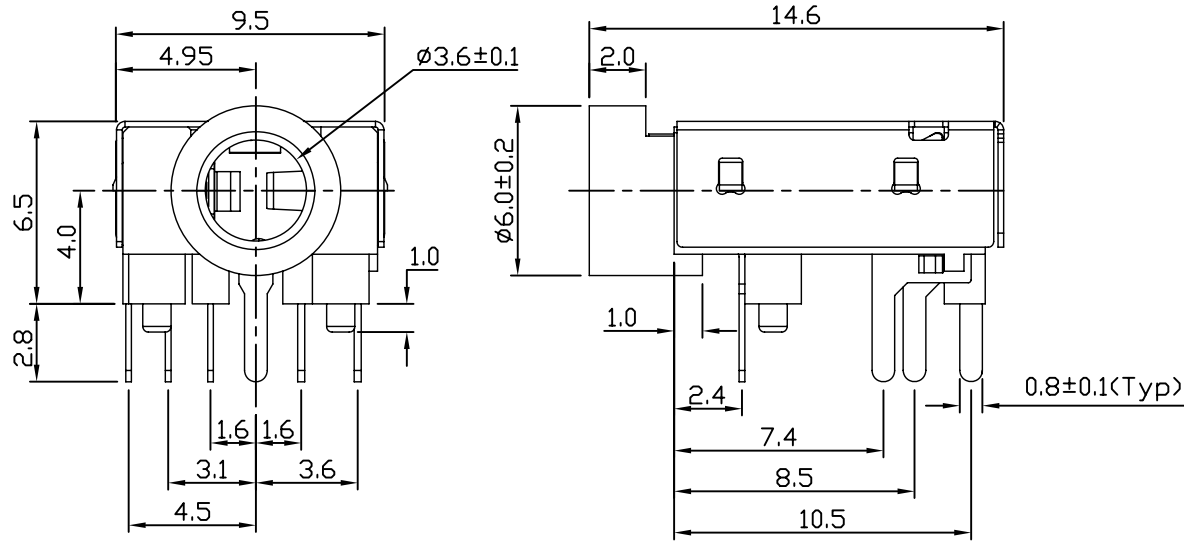


* REVISIONS				
LTR	DESCRIPTION	DATE	REVISED	APPROVED



T:1.6 Dimensions of PC board holes
Tolerance : ±0.05(Printed-top view)

UNLESS OTHERWISE SPECIFIED, TOLERANCE ON DECIMAL: ±0.3

LEAD FREE

8	HOUSING	1	PA9T	UL-94V0(BLACK)
7	SHELL	1	C5191 t=0.20	Ni PLATED
6	MAKE TERMINAL	1	C5191 t=0.20	Ag PLATED
5	TRANSFER TERMINAL	1	C5191 t=0.20	Ag PLATED
4	SHUNT TERMINAL	1	C2680 t=0.25	Ag PLATED
3	RING SPRING	1	C5191 t=0.20	Ag PLATED
2	TIP SPRING	1	C5191 t=0.25	Ag PLATED
1	EARTH SPRING	1	C5191 t=0.20	Ag PLATED

LTR	PART NAME	QTY	MATERIAL	REMARK
DWN	LILY	DATE	2013.09.17	3RD ANGLE PROJECTION NAME MINIATURE JACK CAT. NO. PJD-035-96S1AB DWN.NO. F-035-96
CHKD	ANDY	DATE	2013.09.17	
APVD	JON	DATE	2013.09.17	
JKCR Electronics Co., Ltd.				001