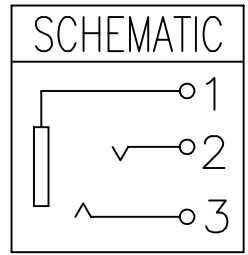
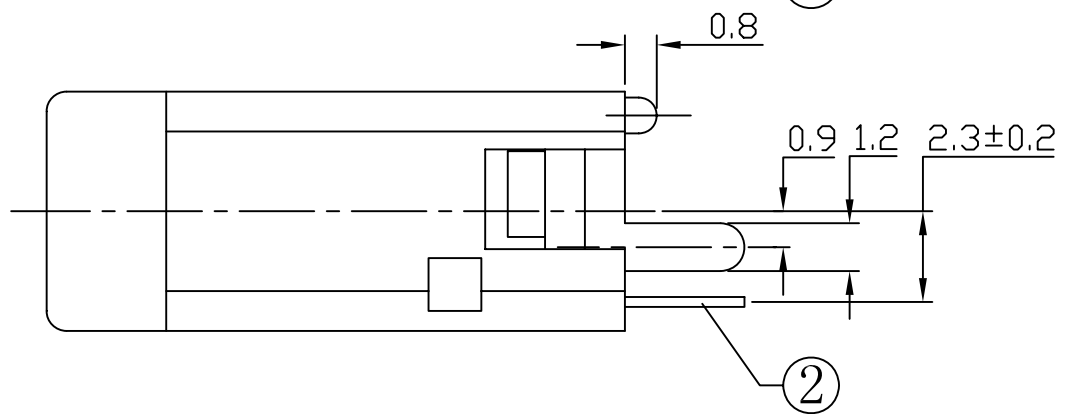
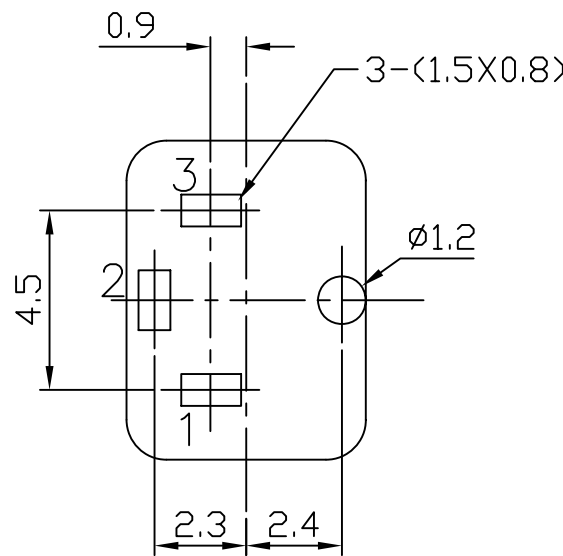
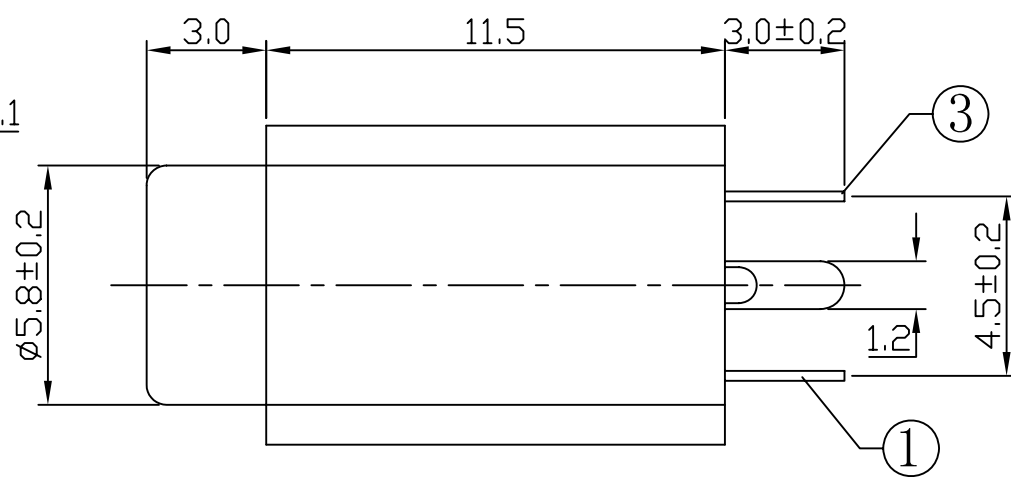
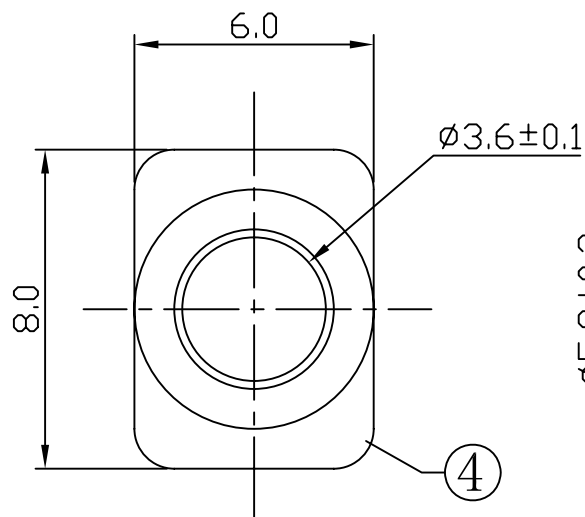


* REVISIONS				
LTR	DESCRIPTION	DATE	REVISED	APPROVED



LEAD FREE

T:1.6 Dimensions of PC board holes
Tolerance : ±0.05(Printed-top view)

UNLESS OTHERWISE SPECIFIED, TOLERANCE ON DECIMAL: ±0.3

4	HOUSING	1	PBT 4815	UL-94V0(BLACK)
3	CONTACT FOOT	1	C5191 t=0.25	Ag PLATED
2	CONTACT FOOT	1	C5191 t=0.25	Ag PLATED
1	CONTACT FOOT	1	C5191 t=0.25	Ag PLATED
LTR	PART NAME	QTY	MATERIAL	REMARK
DWN	LILY	DATE	2013.05.30	3RD ANGLE PROJECTION NAME MINIATURE JACK
CHKD	ANDY	DATE	2013.05.30	
APVD	JON	DATE	2013.05.30	
UNIT: mm				CAT. NO. PJD-035-49DB
JKCR Electronics Co., Ltd.				DWN.NO. A-035-49
				001