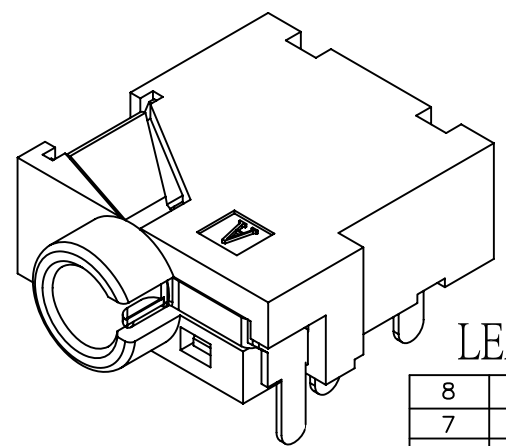
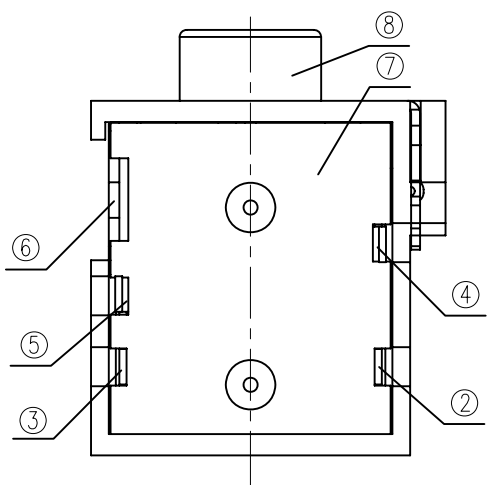
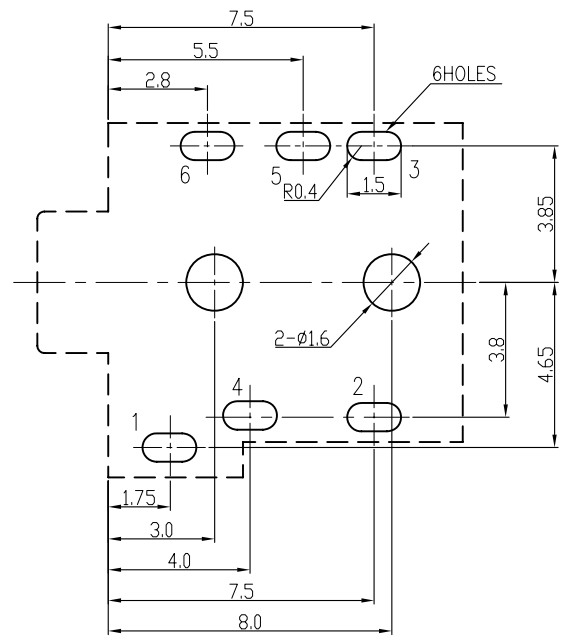
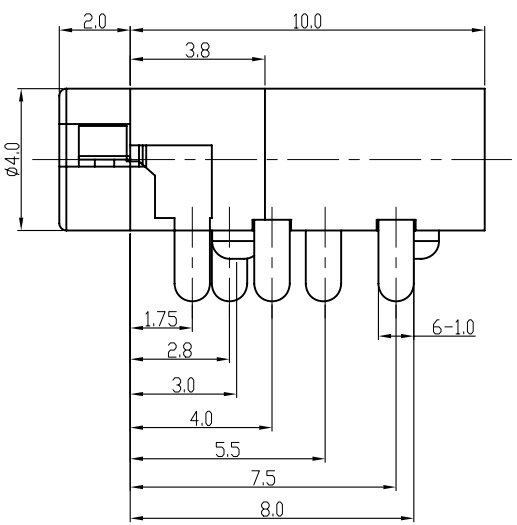
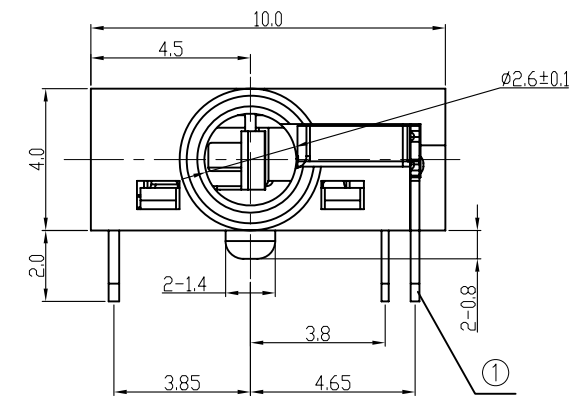
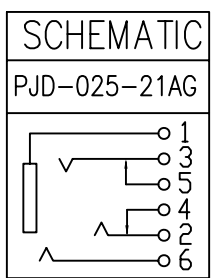


* REVISIONS				
LTR	DESCRIPTION	DATE	REVISED	APPROVED



LEAD FREE

T:1.6 Dimensions of PC board holes  
Tolerance :  $\pm 0.05$ (Printed-top view)



UNLESS OTHERWISE SPECIFIED, TOLERANCE ON DECIMAL:  $\pm 0.2$

8	HOUSING	1	PA9T	UL-94V0(BLACK)
7	COVER	1	PA9T	UL-94V0(BLACK)
6	TERMINAL	1	C5191 t=0.30	Au PLATED
5	TERMINAL	1	C2680 t=0.30	Au PLATED
4	TERMINAL	1	C2680 t=0.30	Au PLATED
3	TERMINAL	1	C5191 t=0.20	Au PLATED
2	TERMINAL	1	C5191 t=0.20	Au PLATED
1	TERMINAL	1	C5191 t=0.25	Au PLATED
LTR	PART NAME	QTY	MATERIAL	REMARK
DWN	LILY	DATE	2013.12.11	3RD ANGLE PROJECTION
CHKD	ANDY	DATE	2013.12.11	
APVD	JON	DATE	2013.12.11	UNIT: mm
JKCR Electronics Co., Ltd.				NAME MINIATURE JACK
				CAT. NO. PJD-025-21AG
				DWN.NO. A-025-21
				001