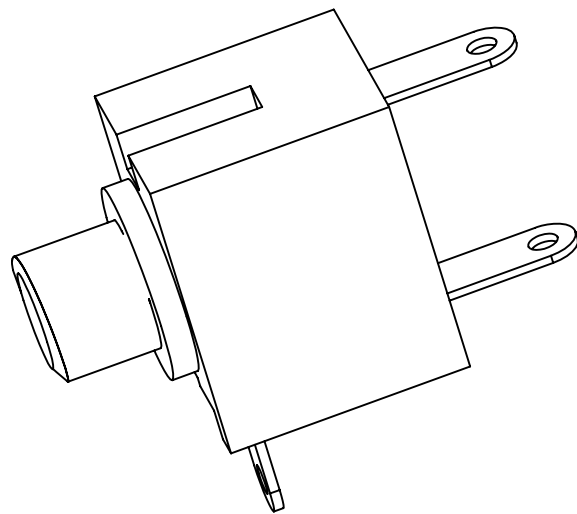
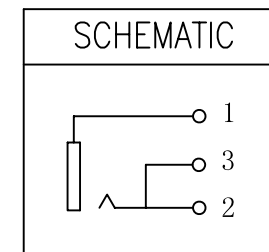
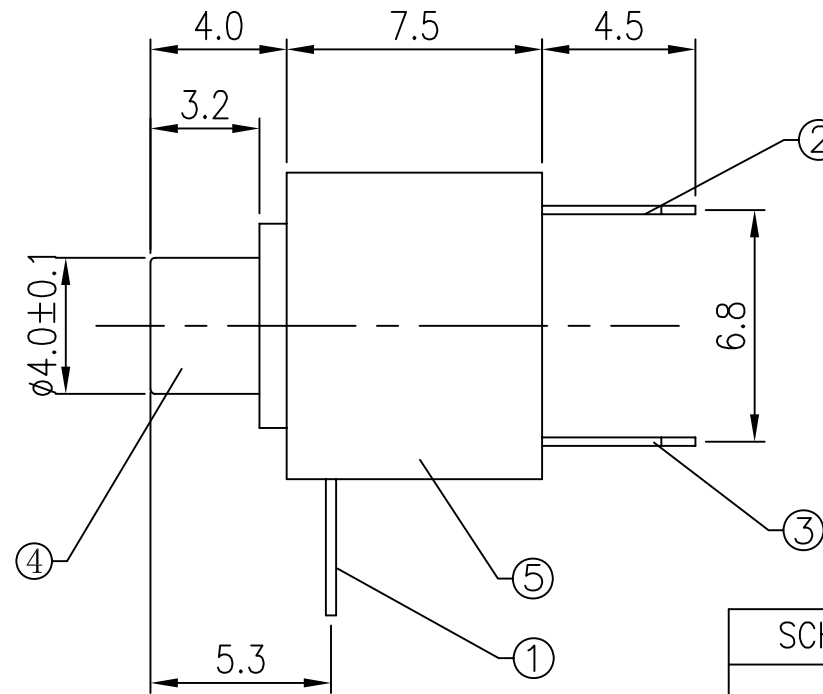
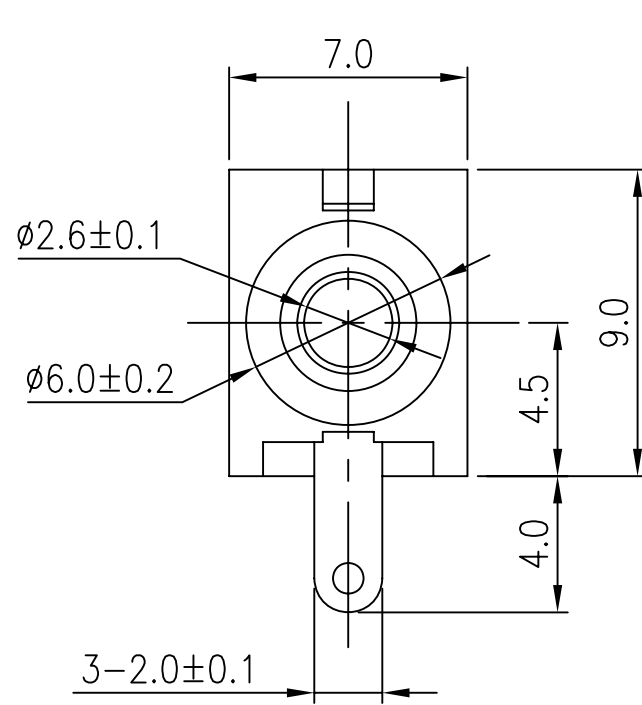


* REVISIONS				
LTR	DESCRIPTION	DATE	REVISED	APPROVED



LEAD FREE

5	HOUSING	1	PBT 4815	UL-94V0(BLACK)
4	AXIS SUPPORT	1	H59(COPPER ALLOY)	Ni PLATED
3	CURVE PIECE	1	C2680 t=0.25	Sn PLATED
2	SPRING PIECE	1	C5191 t=0.25	Sn PLATED
1	FIAT PIECE	1	C2680 t=0.30	Sn PLATED
LTR	PART NAME	QTY	MATERIAL	REMARK
DWN	LILY	DATE	2015.04.22	3RD ANGLE PROJECTION NAME MINIATURE JACK CAT. NO. PJD-025-01 DWN.NO. A-025-01
CHKD	ANDY	DATE	2015.04.22	
APVD	JON	DATE	2015.04.22	
JKCR Electronics Co., Ltd.				001

UNLESS OTHERWISE SPECIFIED, TOLERANCE ON DECIMAL: ± 0.3