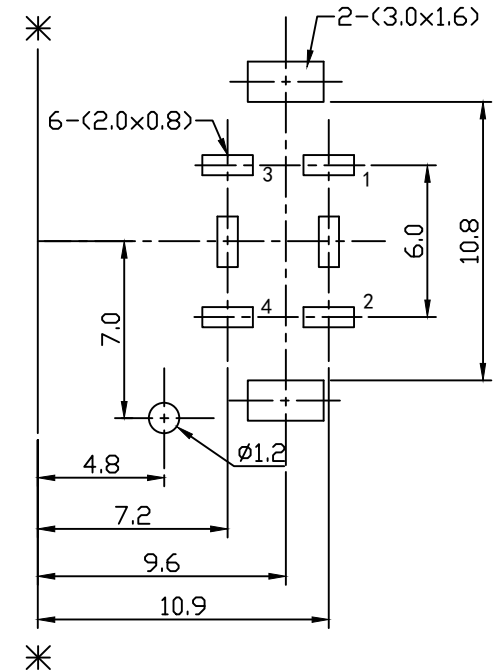
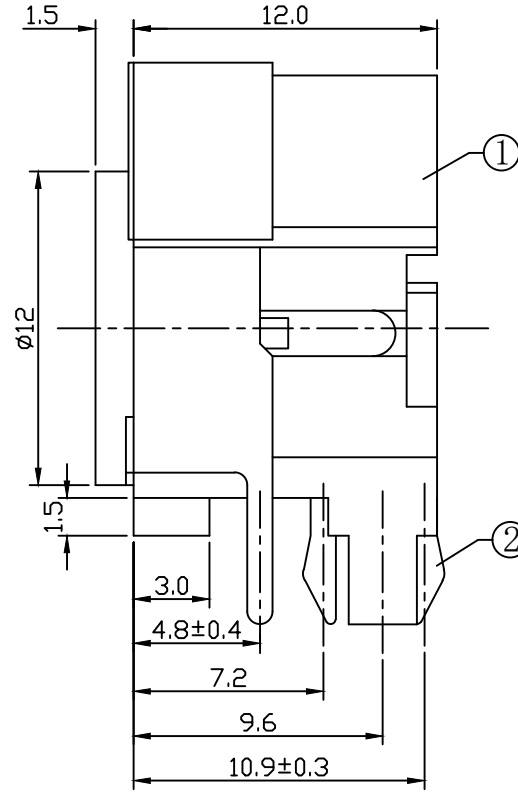
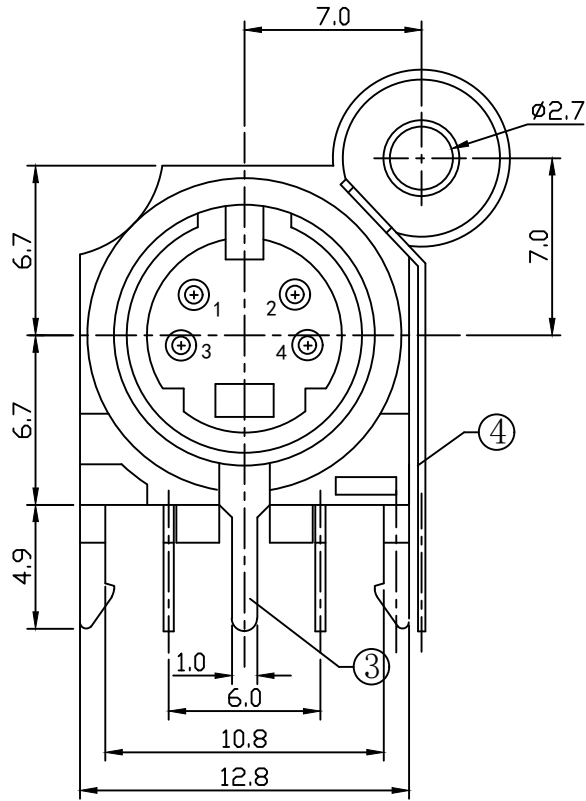
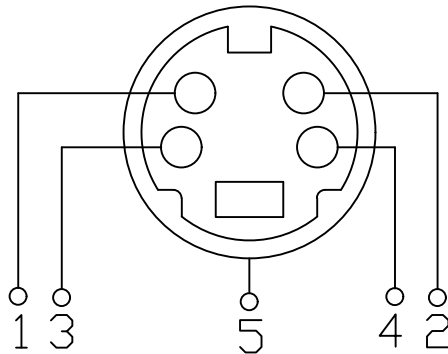


\* RoHS COMPLIANT \*

* REVISIONS				
LTR	DESCRIPTION	DATE	REVISED	APPROVED



\*  
T:1.6 Dimensions of PC board holes  
 Tolerance : ±0.05(Printed-top view)



SCHEMATIC

UNLESS OTHERWISE SPECIFIED, TOLERANCE ON DECIMAL: ±0.3

4	CONTACT FOOT	1	C2680	Cu/Sn	PLATED
3	GROUND CONTACT	1	C2680	Cu/Sn	PLATED
2	CONTACT FOOT	5	C5191	Ag	PLATED
1	HOUSING	1	PBT 4815	UL-94V0(BLACK)	
LTR	PART NAME	QTY	MATERIAL	REMARK	
DWN	LILY	DATE	2014.05.26	3RD ANGLE PROJECTION	NAME
CHKD	ANDY	DATE	2014.05.26		S JACK
APVD	JON	DATE	2014.05.26		CAT. NO.
					MD-09021B
JKCR Electronics Co., Ltd.					DWN.NO.
					B-09021
					001