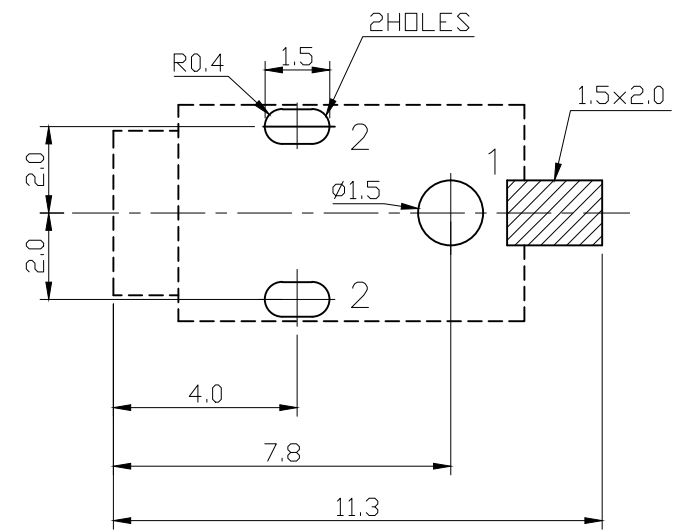
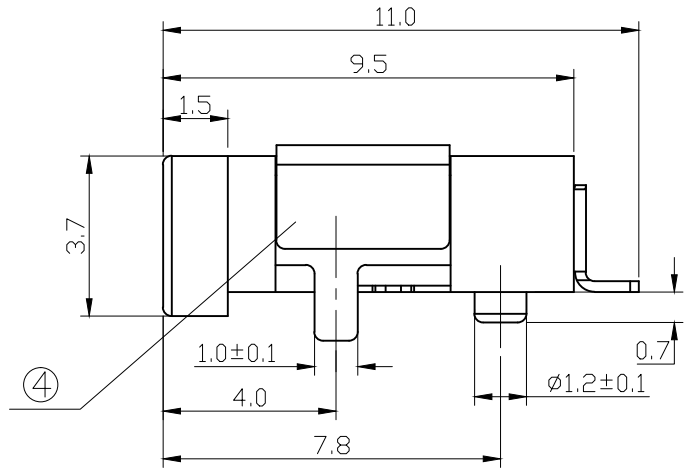
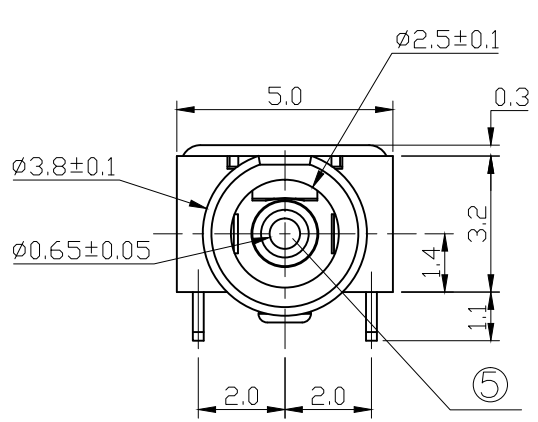
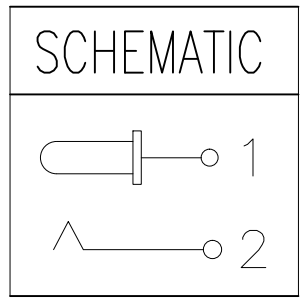
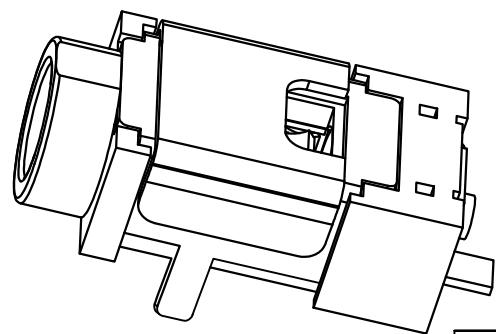
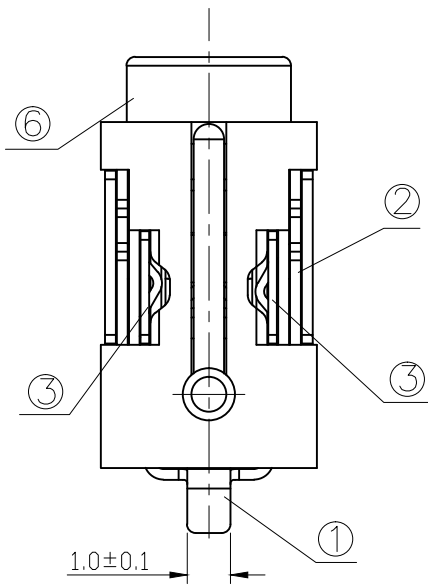


* RoHS COMPLIANT *

* REVISIONS				
LTR	DESCRIPTION	DATE	REVISED	APPROVED



T:1.6 Dimensions of PC board holes
Tolerance : ±0.05(Printed-top view)



UNLESS OTHERWISE SPECIFIED, TOLERANCE ON DECIMAL: ±0.2

6	HOUSING	1	PA9T	UL-94V0(BLACK)
5	PIN	1	H59(COPPER ALLOY)	Cu/Sn PLATED
4	COAT	1	C5191 t=0.25	Ag PLATED
3	TERMINAL	2	C5191 t=0.20	Ag PLATED
2	TERMINAL 2#	1	C5191 t=0.25	Ag PLATED
1	TERMINAL 1#	1	C5191 t=0.25	Ag PLATED
LTR	PART NAME	QTY	MATERIAL	REMARK
DWN	LILY	DATE	2017.07.28	3RD ANGLE PROJECTION NAME DC POWER JACK
CHKD	ANDY	DATE	2017.07.28	CAT. NO. DCS-020-15
APVD	JON	DATE	2017.07.28	UNIT: mm DWN.NO. A-020-15
JKCR Electronics Co., Ltd.				002