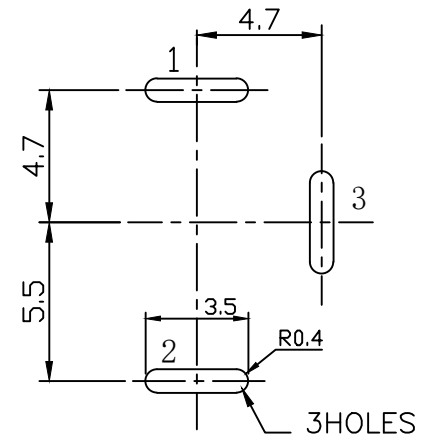
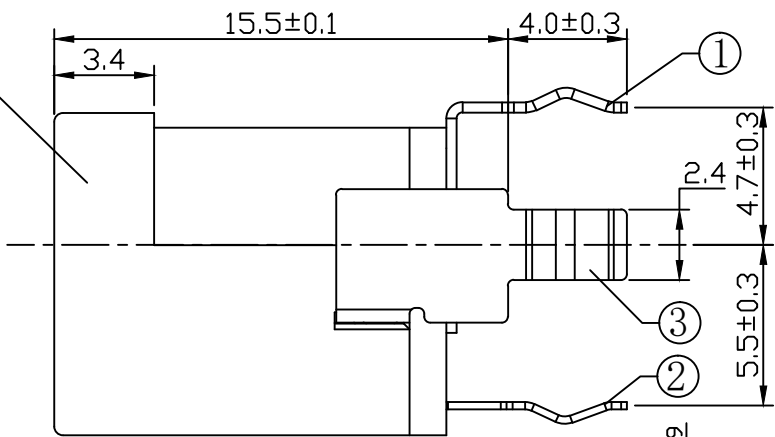
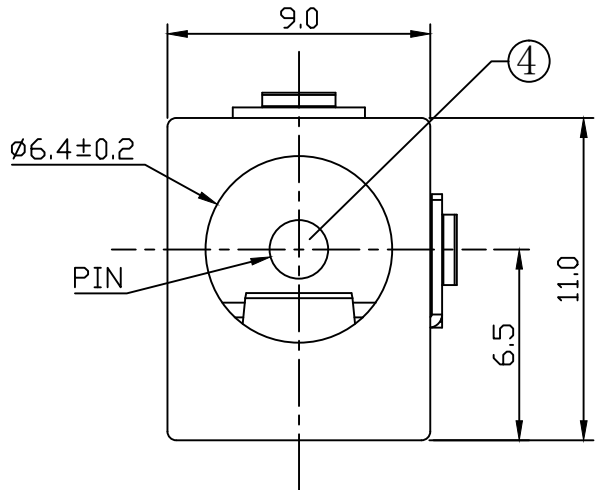
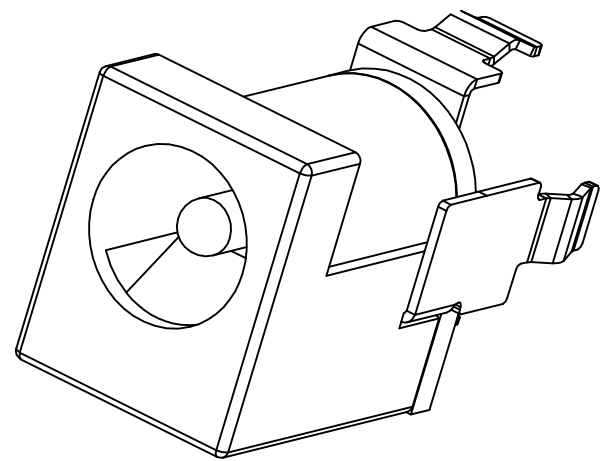
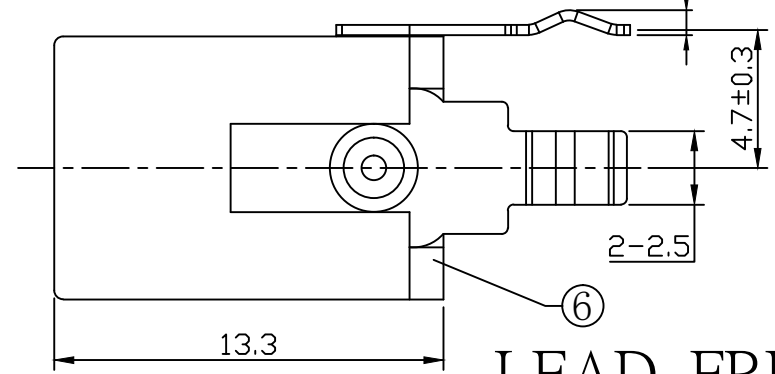


* REVISIONS				
LTR	DESCRIPTION	DATE	REVISED	APPROVED



T:1.6 Dimensions of PC board holes
Tolerance: ± 0.05 (Printed-top view)



LEAD FREE

CAT. NO.	PIN	SCHEMATIC
DCD-020-30A	$\phi 2.0$	
DCD-020-30B	$\phi 2.5$	

6	COVER	1	PF		
5	HOUSING	1	PBT 4815		UL-94V0(BLACK)
4	PIN	1	H59		Ni PLATED
3	CONTACT FOOT	1	C2680	t=0.35	Sn PLATED
2	SPRING	1	C5191	t=0.25	Sn PLATED
1	FLAT PIECE	1	C2680	t=0.35	Sn PLATED
LTR	PART NAME	QTY	MATERIAL		REMARK
DWN	LILY	DATE	2016.06.01	3RD ANGLE PROJECTION	NAME DC POWER JACK
CHKD	ANDY	DATE	2016.06.01		CAT. NO. DCD-020-30
APVD	JON	DATE	2016.06.01	UNIT: mm	DWN.NO. A-020-30
JKCR Electronics Co., Ltd.					001

UNLESS OTHERWISE SPECIFIED, TOLERANCE ON DECIMAL: ± 0.3