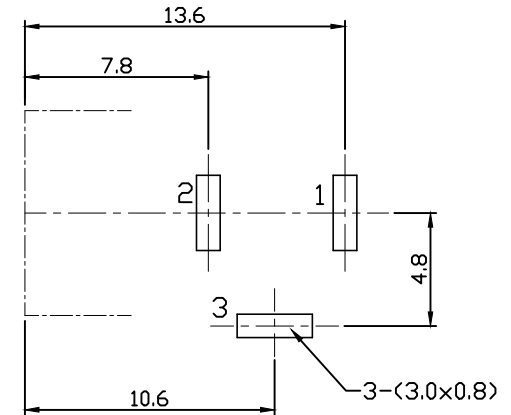
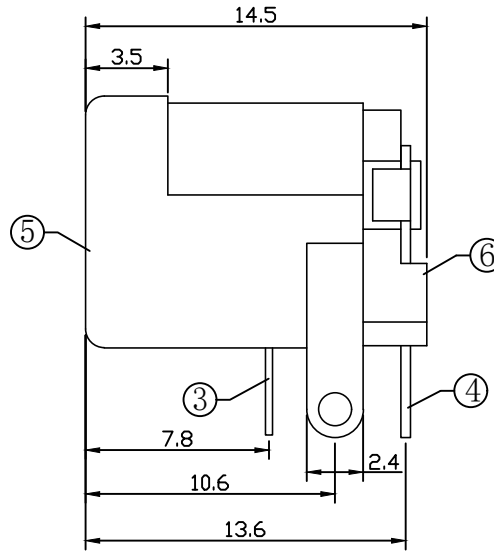
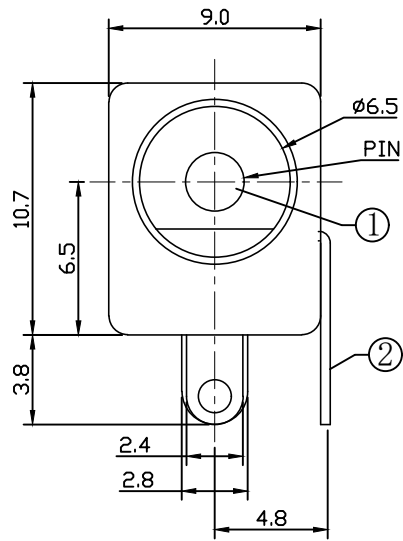


* RoHS COMPLIANT *



T:1.6 Dimensions of PC board holes
Tolerance : ± 0.05 (Printed-top view)

Specifications:

1. Contact Resistance: $30m\Omega$ MAX.At AC 100mA Max. 1KHz
2. Insulation Resistance: $100M\Omega$ MIN. At 500V DC.
3. Rated Voltage And Current: DC12V.2A MAX;AC 100V. 1A Max.
4. Dielectric Withstanding Voltage: 500V AC FOR ONE MINUTE
5. Insertion Force : 3.0Kg Maximum.
6. Extraction Force : 0.3Kg Maximum.

CAT. NO.	PIN	SCHEMATIC
DCD-020-04PA	$\phi 2.0$	
DCD-020-04PB	$\phi 2.5$	
DCD-020-04PC	$\phi 1.65$	
DCD-020-04PD	$\phi 2.35$	

UNLESS OTHERWISE SPECIFIED, TOLERANCE ON DECIMAL: ± 0.3

* REVISIONS				
LTR	BDESCRIPTION	DATE	REVISED	APPROVED

6	COVER	1	PBT 4815	UL-94V0
5	HOUSING	1	PBT 4815	UL-94V0
4	FLAT PIECE	1	C2680 t=0.4	Sn PLATED
3	SPRING	1	C5191 t=0.3	Sn PLATED
2	CURVE PIECE	1	C2680 t=0.4	Sn PLATED
1	PIN	1	H59(COPPER ALLOY)	Ni PLATED
LTR	PART NAME	QTY	MATERIAL	REMARK
DWN	LILY	DATE	2014.04.11	3RD ANGLE PROJECTION NAME DC POWER JACK
CHKD	ANDY	DATE	2014.04.11	
APVD	JON	DATE	2014.04.11	
UNIT: mm				CAT. NO. DCD-020-04P
JKCR Electronics Co., Ltd.				DWN.NO. A-020-04
				001