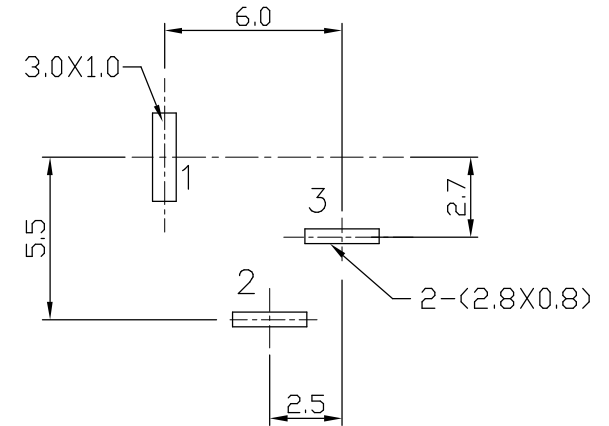
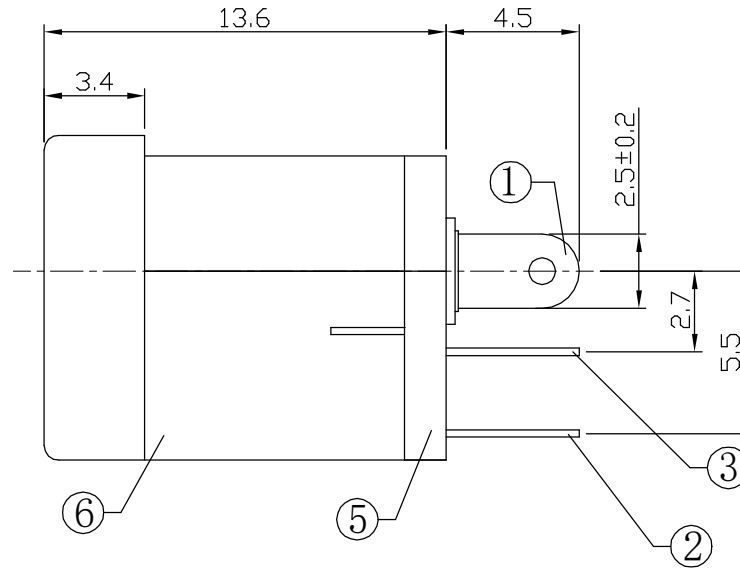
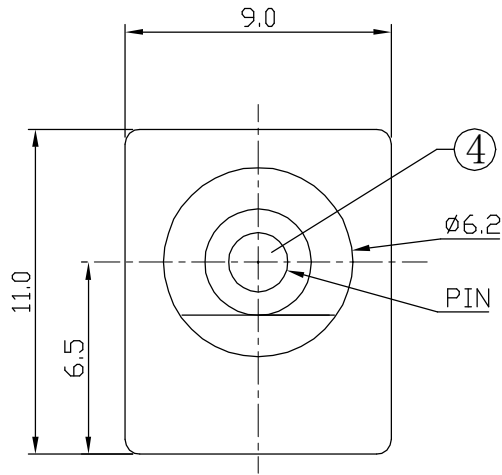
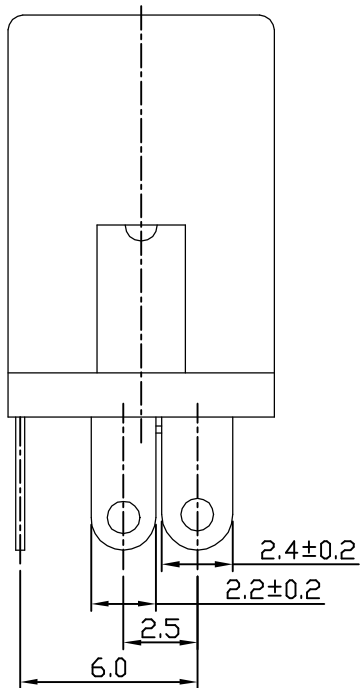


| * REVISIONS | | | | |
|-------------|-------------|------|---------|----------|
| LTR | DESCRIPTION | DATE | REVISED | APPROVED |
| | | | | |



T:1.6 Dimensions of PC board holes
Tolerance : ±0.05(Printed-top view)



| CAT. NO. | PIN | SCHEMATIC |
|-------------|------|-----------|
| DCD-020-49A | φ2.0 | |
| DCD-020-49B | φ2.5 | |

LEAD FREE

| 6 | HOUSING | 1 | PBT 4815 | UL-94V0(BLACK) |
|----------------------------|------------|------|-------------------|---|
| 5 | COVER | 1 | PF | |
| 4 | PIN | 1 | H59(COPPER ALLOY) | Cu/Sn PLATED |
| 3 | CONTACT | 1 | C2680 t=0.30 | Sn PLATED |
| 2 | SPRING | 1 | SUS301 t=0.20 | Sn PLATED |
| 1 | FLAT PIECE | 1 | C2680 t=0.30 | Sn PLATED |
| LTR | PART NAME | QTY | MATERIAL | REMARK |
| DWN | LILY | DATE | 2021.10.18 | 3RD ANGLE PROJECTION NAME DC POWER JACK |
| CHKD | ANDY | DATE | 2021.10.18 | |
| APVD | JON | DATE | 2021.10.18 | |
| | | | | CAT. NO. DCD-020-49 |
| JKCR Electronics Co., Ltd. | | | | DWN.NO. A-020-49 |
| | | | | 002 |

UNLESS OTHERWISE SPECIFIED, TOLERANCE ON DECIMAL: ±0.3