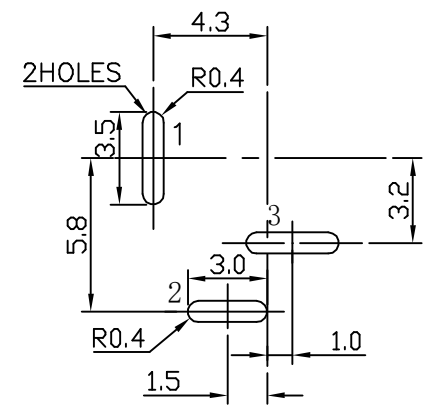
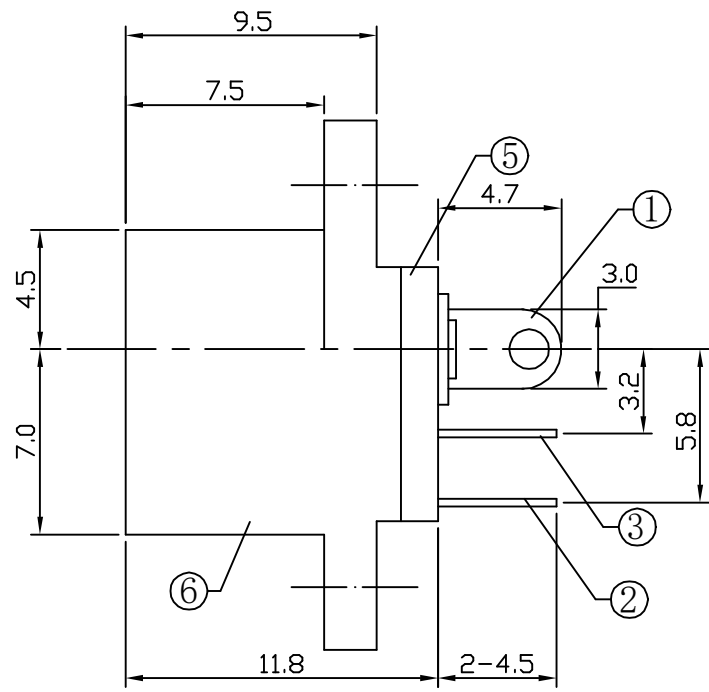
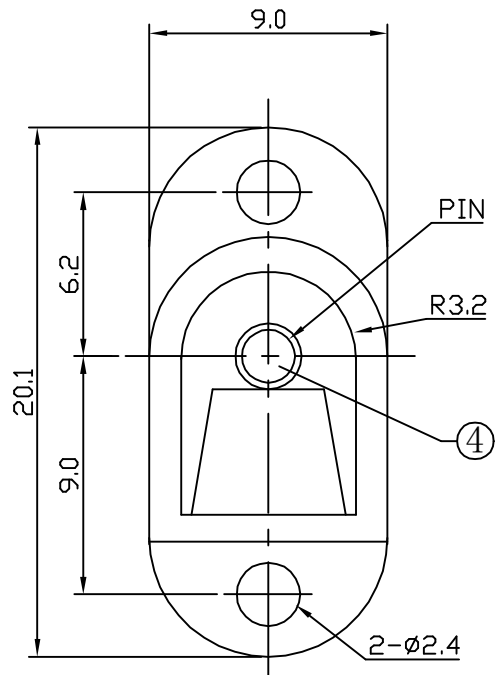
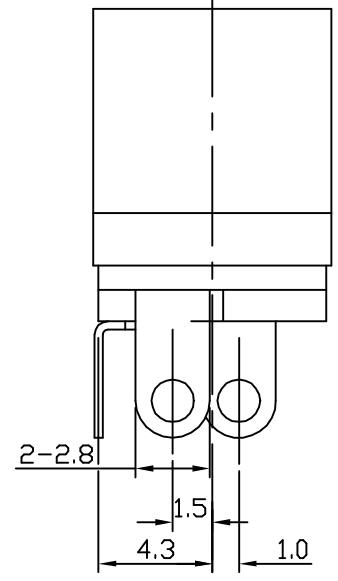


* RoHS COMPLIANT *

* REVISIONS				
LTR	DESCRIPTION	DATE	REVISED	APPROVED



T:1.6 Dimensions of PC board holes
Tolerance : ±0.05(Printed-top view)



CAT. NO.	PIN	SCHEMATIC
DCD-020-15SA	φ2.0	
DCD-020-15SB	φ2.5	

6	HOUSING	1	PBT 4815	UL-94V0(BLACK)
5	COVER	1	PBT 4815	UL-94V0(BLACK)
4	PIN	1	H59(COPPER ALLOY)	Cu/Sn PLATED
3	CONTACT FOOT	1	C2680 t=0.30	Sn PLATED
2	SPRING	1	C5191 t=0.30	Sn PLATED
1	FLAT PIECE	1	C2680 t=0.30	Sn PLATED
LTR	PART NAME	QTY	MATERIAL	REMARK
DWN	LILY	DATE	2021.12.10	3RD ANGLE PROJECTION NAME DC POWER JACK
CHKD	ANDY	DATE	2021.12.10	
APVD	JON	DATE	2021.12.10	
UNIT: mm				CAT. NO. DCD-020-15S
JKCR Electronics Co., Ltd.				DWN.NO. A-020-15
				003

UNLESS OTHERWISE SPECIFIED, TOLERANCE ON DECIMAL: ±0.3